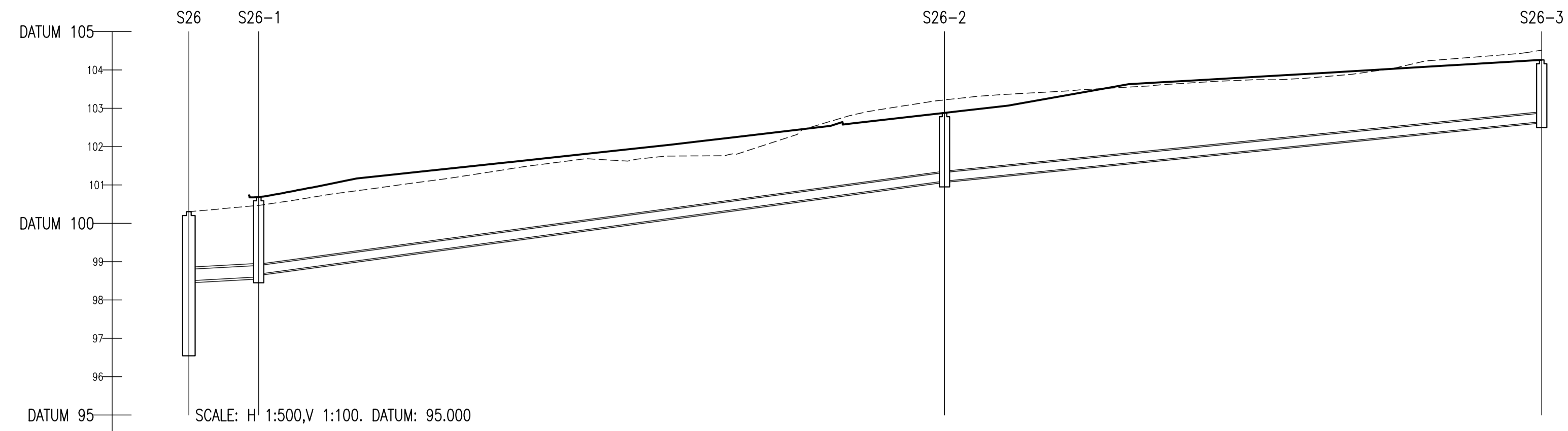
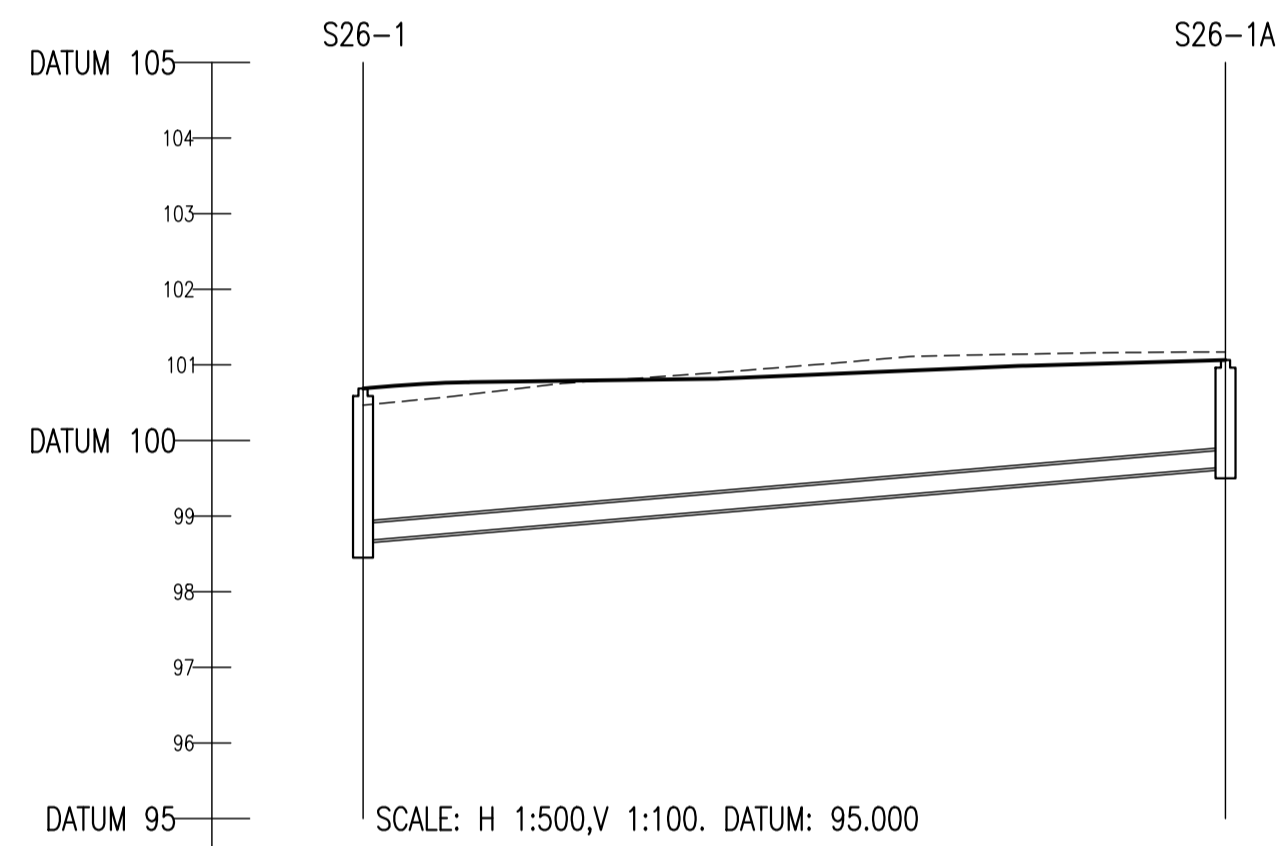


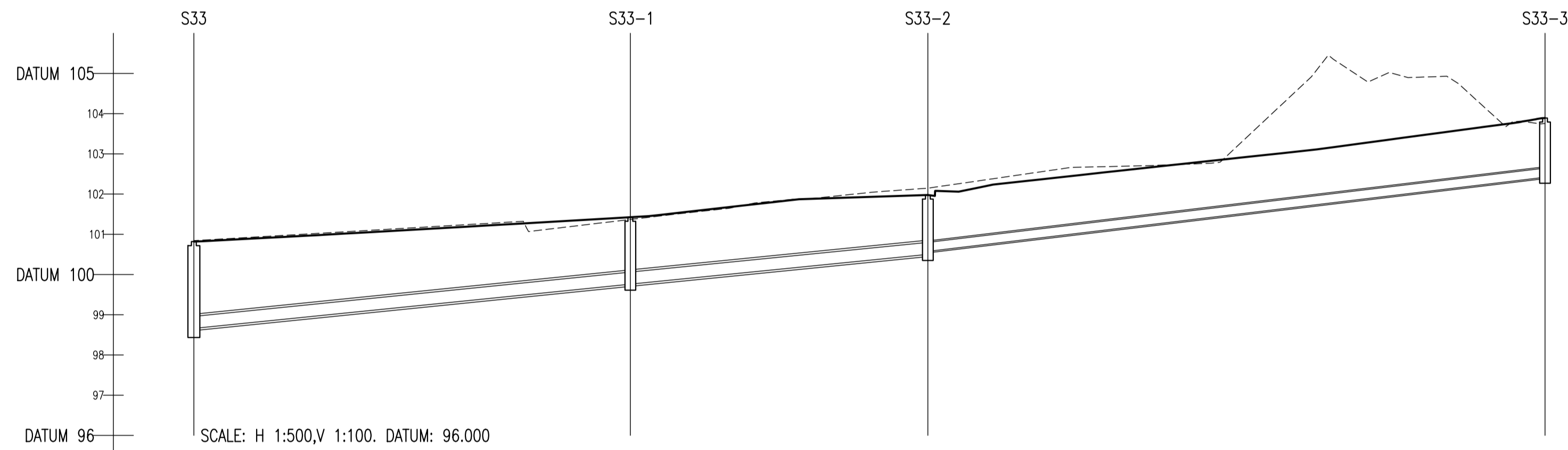
COVER LEVEL	100.551		99.874
INVERT LEVEL	97.907	17.000	98.470
DEPTH (m)	2.719		1.404
DISTANCE (m)		62.50	
PIPE SLOPE		1:111	
PIPE SIZE		225mm	



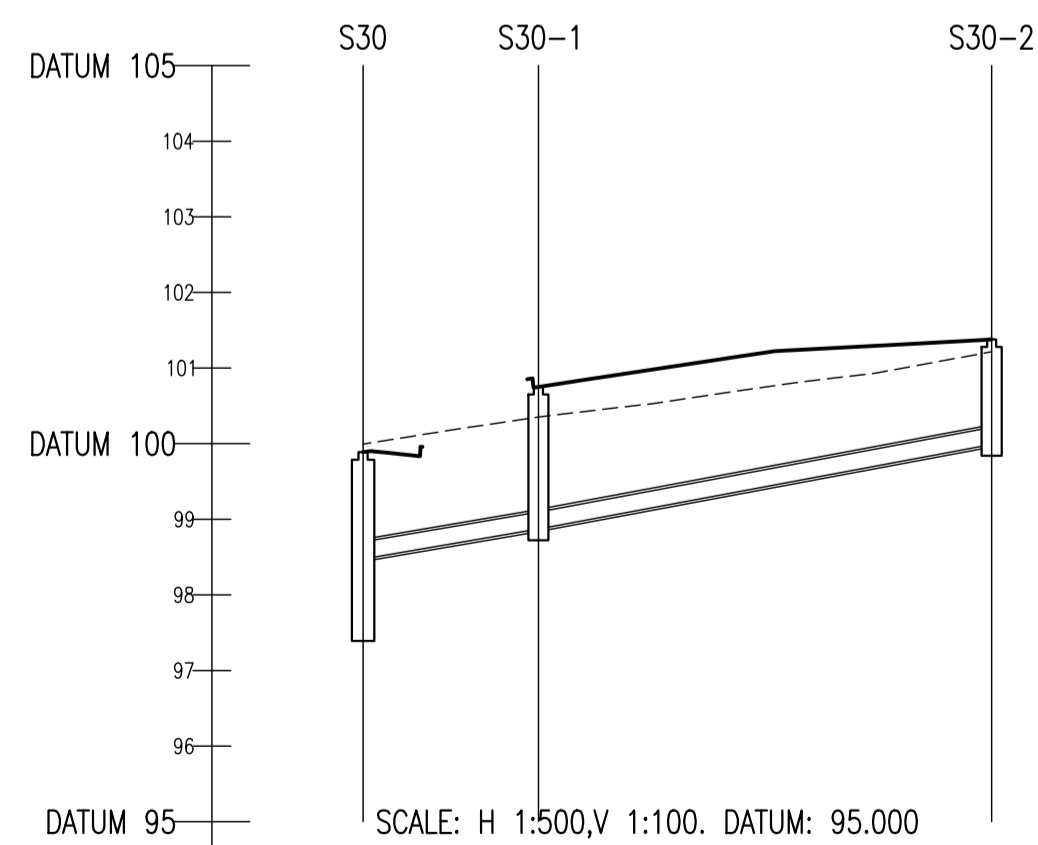
COVER LEVEL	100.303		100.688		102.881		104.263
INVERT LEVEL	98.500	13.002	98.600	13.001	100.100	13.000	102.650
DEPTH (m)	3.608		2.088		1.781		1.613
DISTANCE (m)		9.11		89.39		77.84	
PIPE SLOPE		1:91		1:37		1:50	
PIPE SIZE		300mm		225mm		225mm	



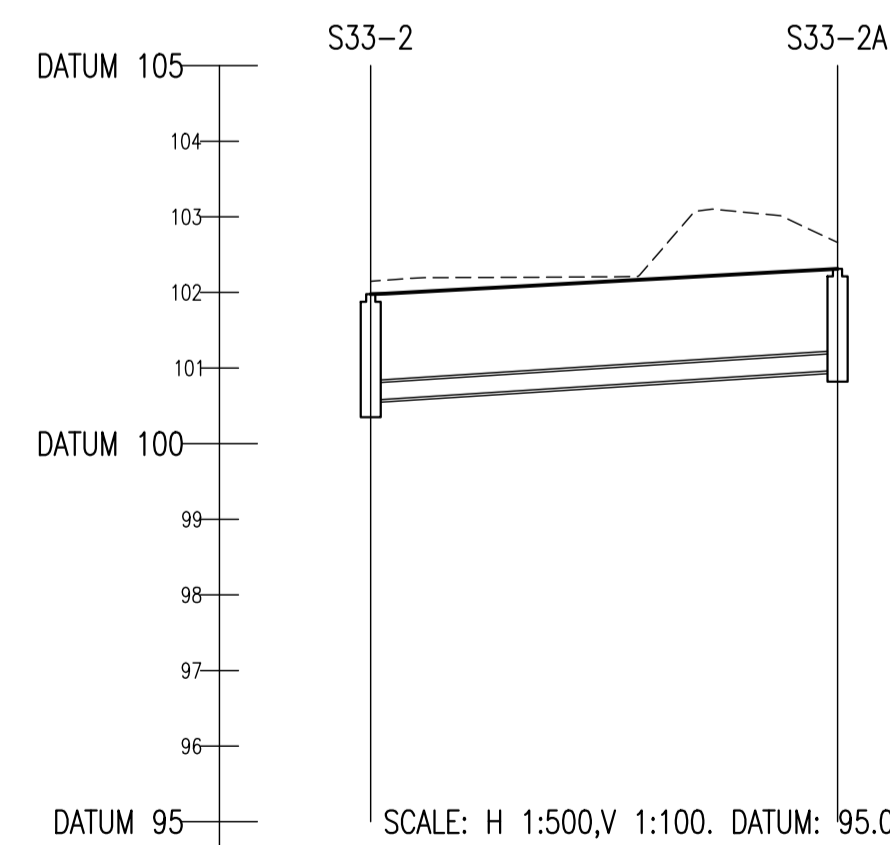
COVER LEVEL	100.688		101.064
INVERT LEVEL	98.675	14.000	99.650
DEPTH (m)	2.088		1.414
DISTANCE (m)		57.04	
PIPE SLOPE		1:59	
PIPE SIZE		225mm	



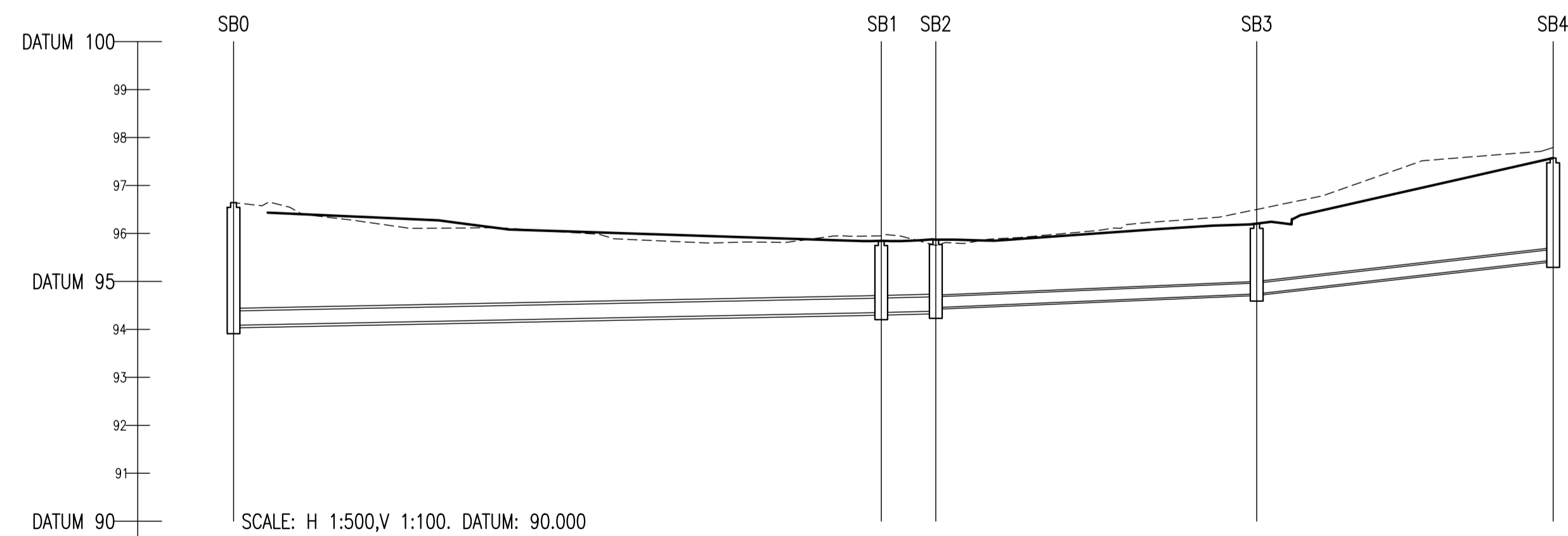
COVER LEVEL	100.819		101.425		103.882		
INVERT LEVEL	98.660	10.002	99.761	10.001	100.500	10.000	102.420
DEPTH (m)	2.234		1.684		1.477		1.472
DISTANCE (m)		54.22		36.96		76.66	
PIPE SLOPE		1:49		1:50		1:42	
PIPE SIZE		300mm		300mm		225mm	



COVER LEVEL	99.888		100.751		101.379
INVERT LEVEL	98.475	12.001	98.871	12.000	99.990
DEPTH (m)	2.348		1.880		1.389
DISTANCE (m)		11.60		29.98	
PIPE SLOPE		1:29		1:27	
PIPE SIZE		225mm		225mm	

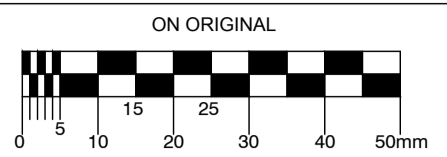


COVER LEVEL	101.977		102.312
INVERT LEVEL	100.575	11.000	100.970
DEPTH (m)	1.477		1.342
DISTANCE (m)		30.88	
PIPE SLOPE		1:78	
PIPE SIZE		225mm	



COVER LEVEL	98.643		98.847		96.870		96.206		97.573
INVERT LEVEL	94.085	1.003	94.352	1.001	94.455	1.001	94.740	1.000	95.443
DEPTH (m)	2.583		1.495		1.490		1.468		2.130
DISTANCE (m)		67.56		33.47		30.92			
PIPE SLOPE		1:253		1:203		1:117		1:44	
PIPE SIZE		300mm		300mm		225mm		225mm	

© COPYRIGHT OF THIS DRAWING IS RESERVED BY DBFL CONSULTING ENGINEERS. NO PART SHALL BE REPRODUCED OR TRANSMITTED WITHOUT THEIR WRITTEN PERMISSION.



- NOTES:
- ALL DRAWINGS TO BE CHECKED BY CONTRACTOR ON SITE AND ENGINEER INFORMED OF DISCREPANCIES BEFORE WORK COMMENCES
  - ALL LEVELS ARE IN METRES AND ARE RELATED TO ORDNANCE DATUM
  - CONTRACTOR SHALL SATISFY HIMSELF AS TO THE ACCURACY OF PAVEMENT LEVELS ON SITE PRIOR TO COMMENCEMENT OF WORKS ON SITE
  - ALL WORKS TO BE CONSTRUCTED IN ACCORDANCE WITH THE NRA SPECIFICATION FOR ROAD WORKS UNLESS NOTED OTHERWISE
  - THIS DRAWING IS FOR PLANNING PURPOSES ONLY
  - MANHOLE COVER LEVELS ARE TO CONFORM WITH FINISHED ROAD AND PATH LEVELS
  - WHERE COVER TO PIPE IS LESS THAN 1200mm (ROAD/PATH/VERGE) OR 900mm (OPEN SPACE) SURROUND PIPE IN MINIMUM 150mm CONCRETE

KEY  
 - - - - - EXISTING GROUND PROFILE  
 \_\_\_\_\_ PROPOSED GROUND PROFILE

REV	DATE	DESCRIPTION	BY	CHKD
<b>PLANNING</b>				
DESIGNED	NCG	PREPARED	PJC	
DATE	SEP 2019	CHECKED	DJR	

**DBFL**  
 Dublin Office: Ormrod House, Upper Ormrod Quay, Dublin 7, Ireland. PHONE +353 1 400 4000 FAX +353 1 400 4050  
 Waterford Office: Unit 2, The Chandlery, 1-2 O'Connell Street, Waterford, Ireland. PHONE +353 51 338 500 FAX +353 51 844 913

DBFL Consulting Engineers email: info@dbfl.ie site: www.dbfl.ie

PROJECT  
**LANDS AT NEWCASTLE, SOUTH DUBLIN**

DRG. TITLE  
**LONGITUDINAL SECTIONS THROUGH SURFACE WATER SHEET 4**

ARCHITECT  
**MOLA**

SCALE H 1:500, V 1:100 @A1 FILE REF. 170024-3025  
 DRG. NO. **170024-3034**